

# Model BRB



CE

MID  
Approved

OIML-R49  
Certified

## Multi-jet Dry Digital Water Meter With Built In Radio for AMI Application

· It is a multi-jet super dry water meter for residential application with integral radio for AMR/AMI applications in sizes 15mm-50mm for cold water.

### Features

- Magnetic Drive, lower transmission resistance
- Magnetic Shield, for external magnetic field protection
- Sealed dry dial register ensures clear reading
- Plastic meter body and plastic ring
- External regulating device

### Built In Radio

- FCC approved
- 1 Watt UHF (400-500 MHz)
- Built in battery for 10xYear operational life
- Licensed & VA licensed frequencies
- KP proprietary protocol & standard protocols

### Standards Compliance

- Directive 2014/32/EU on measuring instruments;
- the European Standard EN14154+A1+A2:Water Meter;
- the International Organization of Legal Metrology OIML R-49: 2013(E)

### Optional Features

- Several lengths and connections available on request
- Non return Valve
- Reed switch option

### Working Conditions

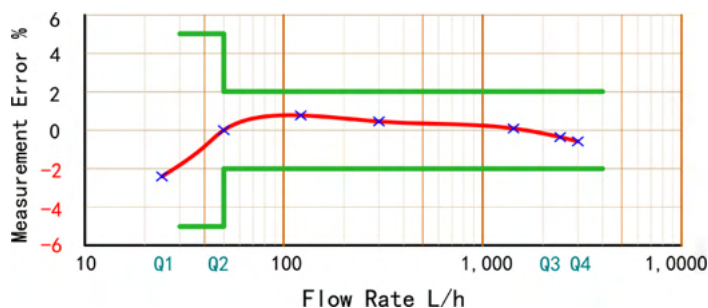
- Water temperature:  $\leq 50^{\circ}\text{C}$  for cold water meter
- Water pressure:  $\leq 1.6\text{MPa}$ (16bars)

### Accessories

2pcs couplings, 2pcs coupling nuts and 2pcs washers.

### Maximum Permissible Error

- In the lower zone from Q1 inclusive up to but excluding Q2 is  $\pm 5\%$ .
- In the upper zone from Q2 inclusive up to and including Q4 is  $\pm 2\%$ .

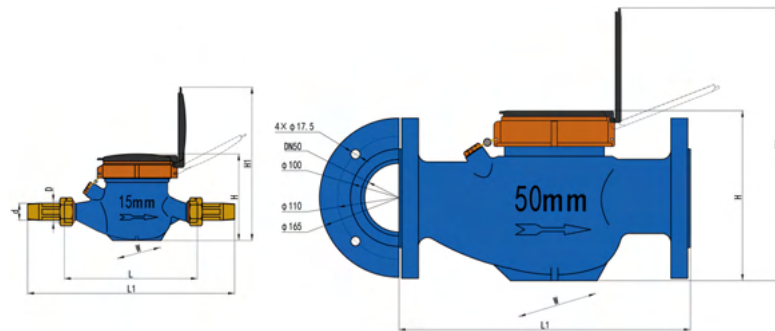


**KP**  
WIRELESS DATA SOLUTIONS

KP Electronic Systems Ltd PO  
Box 42, Tefen Industrial Park,  
Tefen, Israel 2495900  
www.kpsystems.com  
info@kpsystems.com  
T: +972 4 9873066  
F: +972 4 9873692

DN(mm)		15	20	25	32	40	50
Size(inch)		1/2"	3/4"	1"	1-1/4"	1-1/2"	2"
Q4(m <sup>3</sup> /h)		3.125	5	7.875	12.5	20	31.25
Q3(m <sup>3</sup> /h)		2.5	4	6.3	10	16	25
R80	Q2(l/h)	50	80	126	200	320	500
	Q1(l/h)	31.25	50	78.75	125	200	312.5
R100	Q2(l/h)	40	64	100.8	160	256	400
	Q1(l/h)	25	40	63	100	160	250
R125	Q2(l/h)	32	51.2	80.64	128	204.8	320
	Q1(l/h)	20	32	50.4	80	128	200
R160	Q2(l/h)	25	40	63	100	160	250
	Q1(l/h)	15.62	25	39.37	62.5	100	156.2
Max. Reading (m <sup>3</sup> )		99999				999999	
Min. Reading (Liter)		0.05					
Max. Pressure (bar)		16					
Pressure Loss ( $\Delta P$ )		63					
Max. Temperature		T30 or T50					
Pulse Output Option		Vmax=24V, Imax=100mA, Pmax=2W					

## Dimension



DN(mm)	15	20	25	32	40	50	
Size(inch)	1/2"	3/4"	1"	1-1/4"	1-1/2"	2"	
Length(L)	165/190	190	225	230	245	300	
Width(W)	99	99	103	104	124	125	
Height(H)	104	106	114	117	147	172	
Connecting Thread D	G3/4B	G1B	G1-1/4B	G1-1/2B	G2B	G2-1/2B	flange ISO7005



KP Electronic Systems Ltd PO  
 Box 42, Tefen Industrial Park,  
 Tefen, Israel 2495900  
 www.kpsystems.com  
 info@kpsystems.com  
 T: +972 4 9873066  
 F: +972 4 9873692

## Meter Dial Plate(DN15,R160)



### Pulse Output Option

- 1.5m cable with 2 reed switches
- $V_{max}=24V$ ,  $I_{max}=100mA$ ,  $P_{max}=2W$



Magnet Position	Liter/Pulse
x0,000 l	1
x0,00 l	10
x0,0 l	100
x0, l	1000



KP Electronic Systems Ltd PO  
Box 42, Tefen Industrial Park,  
Tefen, Israel 2495900  
[www.kpsystems.com](http://www.kpsystems.com)  
[info@kpsystems.com](mailto:info@kpsystems.com)  
T: +972 4 9873066  
F: +972 4 9873692